



BRE-100-E/-D Contact path cleaning system

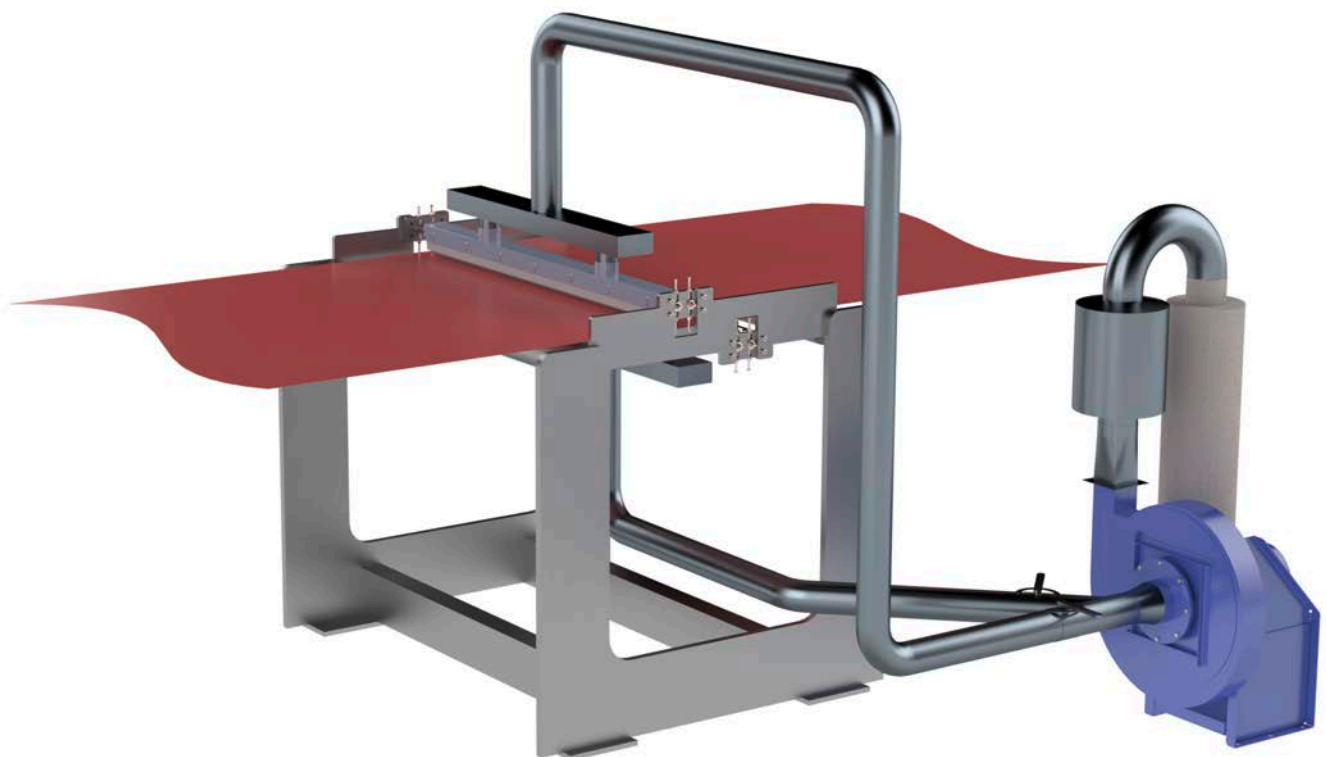
Web cleaning / extraction / dust extraction

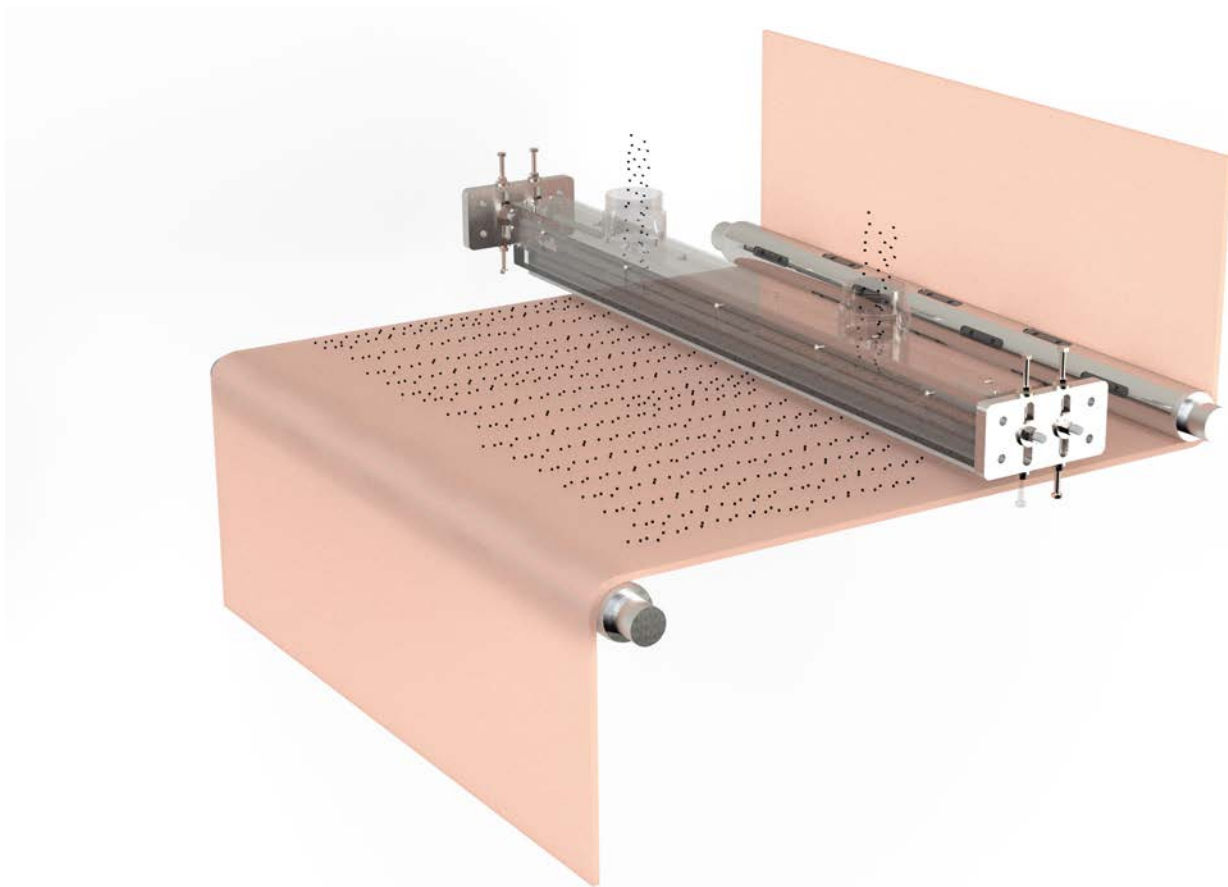
Dimensions: Cross-section approx. 110 mm x 100 mm / width 400-4,000 mm

Design: E= one-sided; D= double-sided

Scope of supply: Contact path cleaning head incl. unloading rods, high pressure blower, filter unit, tubing, hose, throttle valves, holder

We offer a contact web cleaning system for effective cleaning for your web-shaped materials: Whether it is film, paper, aluminium - printing, coating, laminating - there is always a functional way to efficiently remove contamination. Vacuum-based contact web cleaning systems have proven in many processes, work economically, cost-efficiently, and guarantee a continuously high quality for your final product.





Features:

- range of application: all web-shaped materials such as e.g. paper, foils, aluminium usw.
- fast and thorough static discharge with 7kV system before and after the cleaning process
- strong air acceleration & turbulences on the substrate surface dissolve the laminar barrier layer
- high removal capacity of contaminants up to particle sizes of max. 20 µm
- easy to clean, all surfaces and therefore well suited for use in the food and medical industries.
- solid mounting concept and simple setting optimisation
- very compact design and therefore space-saving and easy to upgrade
- for web widths up to 4,000 mm for various applications such as flexo printing, gravure printing, die cutting, perforation, coating,
- die-cutting, perforation, coating, extrusion coating and much more
- CE mark in accordance with the latest health and safety standards
- operator and maintenance friendly

