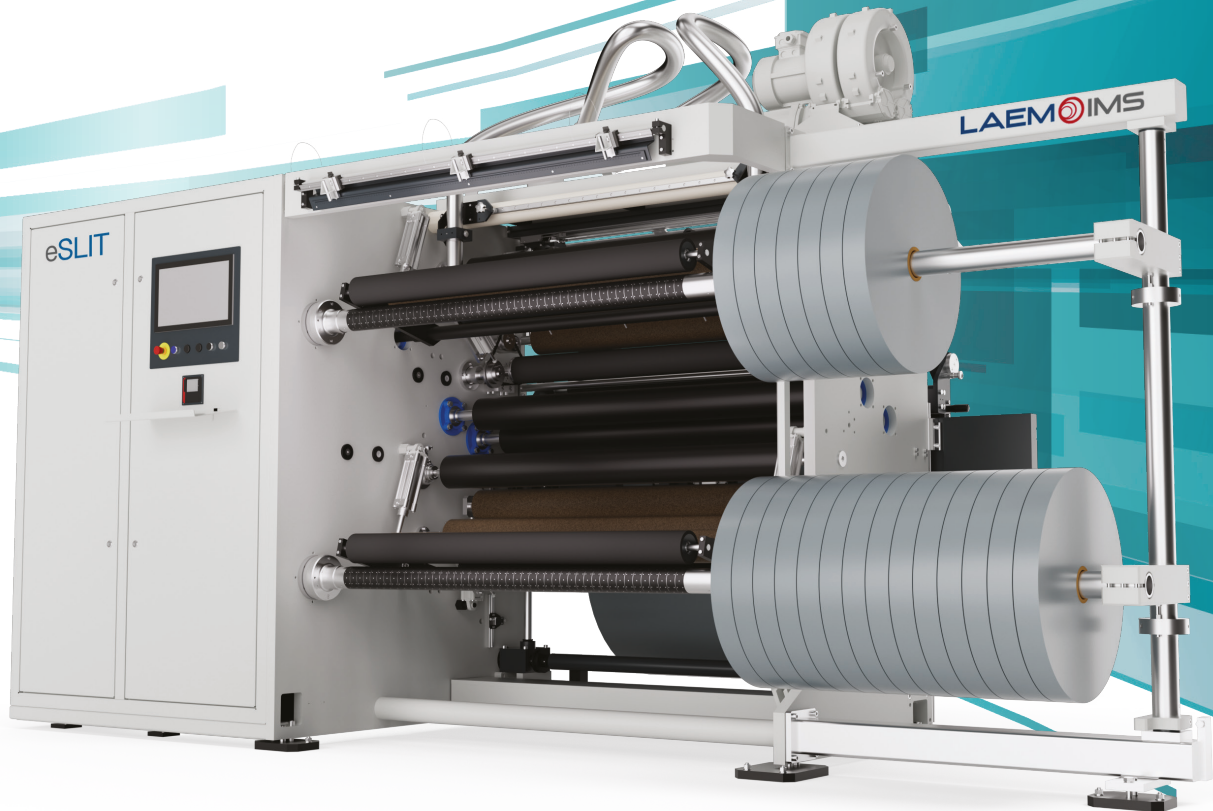




eSLIT

The Essential Dual Shaft Slitter Rewinder

Flexible packaging materials



CUTTING EDGE
TECHNOLOGY

LAEMOIMS
A BRAND OF IMSTECHNOLOGIES



The **eSLIT Series** is designed for film manufacturers and converters who seek a **simple solution** to process their materials with **reduced investment** and without affecting quality.

Thanks to its essential and **ergonomic design**, the eSLIT can process at high speed most films, laminates and delicate materials in the flexible packaging industry.

This model fulfills the demands of the market whenever an **easy process** is requested by our partners.

Moreover, the integration of various technologies in the machine contributes to the **outstanding results** of the web handling, slitting and rewinding processes, ensuring excellent quality of the finished rolls.

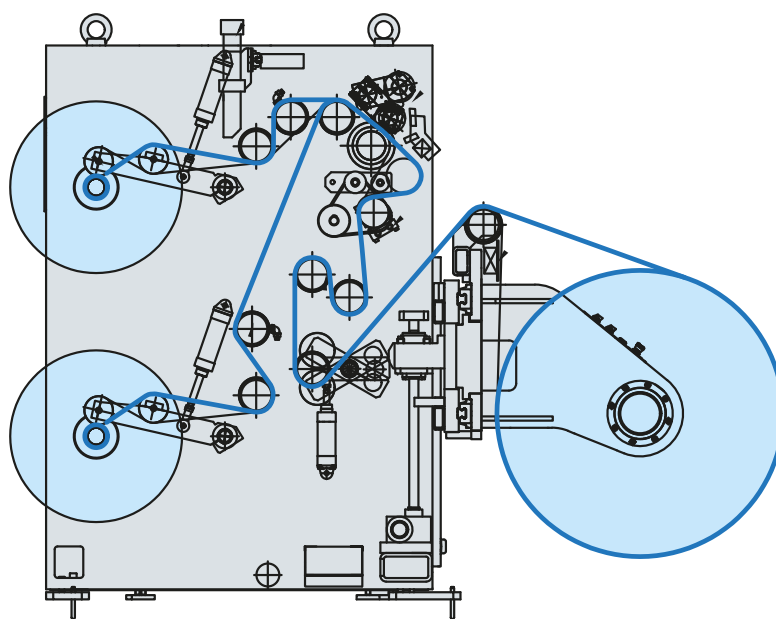


ERGONOMIC DESIGN AND EASY PROCESS FOR OUTSTANDING RESULTS

- » Operator-friendly 15" color touch panel for simple setting-up and commands
- » Perfect combination between essential design and reduced investment to ensure outstanding results
- » Electro-mechanical reels lifting system (option)
- » Razor blades and/or shear knives slitting system
- » Easy configuration of the machine enabling reduced downtime
- » Unloader directly connected to machine structure
- » Hydraulic-free machine

Technical specifications

» Maximum mother reel web width:	1000 mm // 39.4" 1300 mm // 51.2"
» Mother reel diameter:	Max. 1000 mm // 39.4" Min. 450 mm // 17.7" (automatic lifting)
» Mother reel weight up to:	1500 kg
» Maximum diameter of finished reels:	600 mm // 23.6"
» Minimum slitting width:	30 mm
» Speed up to:	600 m/min // 1,968.5 ft/min
» Web direction:	Left-side (reels discharge from left to right)



eSLIT layout

e STANDS
FOR

» **E**rgonomic design

» **E**lectric machine

» **E**asy-to-use technology

» **E**ssential functioning

» **E**conomic benefits

» **E**fficient results

GOEBEL IMS

www.goebel-ims.com

Slitter rewinders, automatic un-and winders and inspection machines for the **primary** and **converting** industries, able to process **film, paper** and board, **aseptic packaging, alufoil** and **nonwoven**

LAEM IMS

www.laem-ims.com

Dual shaft, turret, station and compact slitter rewinders, inspection machines and highly automated machinery for **flexible packaging**, film, paper and laminates

ROTOMAC

www.rotomac.it

Rewinding, embossing and **packaging** machinery for food wrapping in aluminium foil, film and baking paper

DELTAMOULD

Low pressure, gravity and die-casting **moulds** for aluminium alloy components

360° Service Philosophy

Choose technology and expertise from IMS TECHNOLOGIES, with more than 14000 machines sold around the world. Ask about our solutions for efficiency, quality and profitability in a wide range of materials converting.

Industry 4.0



MAIA® is the Industrial IoT platform developed for IMS TECHNOLOGIES customers. Using advanced analytics and AI, this cloud-based platform allows to collect, monitor and analyze data from machines in real-time, to optimize operations, thus increasing efficiency and enhancing product quality.

Italy

IMS TECHNOLOGIES S.p.A.

Headquarters & Operations 1

Via Cav. Beretta, 25
24050 Calcinatè (BG)
Tel.: +39 035 83 55 111

Operations 2

Via Comonte, 10
24068 Seriate (BG)
Tel.: +39 035 4376373

Operations 3

Via G. Brodolini, 42/44
15033 Casale Monferrato (AL)
Tel.: +39 0142 45 57 19

Germany

GOEBEL Schneid- und Wickelsysteme GmbH

Europaplatz, 4
D-64293 Darmstadt
Tel. +49 6151 888 1

USA

IMS TECHNOLOGIES Inc.

5 Commerce Way, Unit 150
Hamilton, NJ 08691, USA
Tel.: +1 973 287-7569

China

Beijing GOEBEL Slitting Technologies Co., Ltd

Room 311, Building 1, Bright ChangAn BLD,
No.7 JianGuoMenNei Street, 100005,
Beijing/P.R.China
Tel.: +86 10 6518 8535

www.laem-ims.com



You can find more information about our wide range of machinery on our website.

